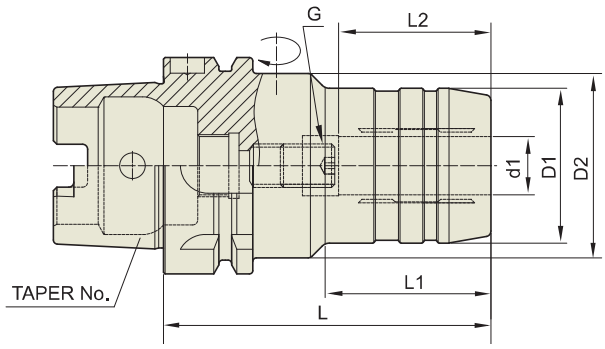


HYDRAULIC CHUCK (SLIM)

**DIN 69893/
ISO 12164-1-HSK FORM A**

HYDRAULIK SPANNFUTTER (SCHLANK)
MANDRIN HYDRAULIQUE (MINCE)
MANDRINI IDRAULICI (SOTTILE)
PORTAHERRAMIENTAS HIDRAULICO (DELGADO)



Unit : mm										
TAPER No.	MODEL No.	EDP No.	d1	D1	D2	L	L1	L2	G	WEIGHT (kg)
32A	HSK32A-HC6-80	P2770413	6	26	40	80	29	27	M5×0.8	0.30
	HSK32A-HC8-80	P2770414	8	28	40	80	29	27	M6×1.0	0.30
	HSK32A-HC10-85	P2770415	10	30	40	85	35	32	M6×1.0	0.30
	HSK32A-HC12-90	P2770416	12	32	40	90	40	37	M6×1.0	0.30
40A	HSK40A-HC6-70	P2770401	6	26	34	70	36	27	M5×0.8	0.50
	HSK40A-HC8-70	P2770402	8	28	34	70	36	27	M6×1.0	0.50
	HSK40A-HC10-75	P2770403	10	30	34	75	42	32	M6×1.0	0.60
	HSK40A-HC12-80	P2770417	12	32	34	80	48	37	M6×1.0	0.65
50A	HSK50A-HC6-70	P2770404	6	26	40	70	28	27	M5×0.8	0.65
	HSK50A-HC8-70	P2770405	8	28	40	70	28	27	M6×1.0	0.65
	HSK50A-HC10-75	P2770406	10	30	40	75	34	32	M8×1.0	0.70
	HSK50A-HC12-85	P2770407	12	32	40	85	44	37	M10×1.0	0.75
	HSK50A-HC14-85	P2770408	14	34	40	85	43	37	M10×1.0	0.75
	HSK50A-HC16-90	P2770409	16	38	53	90	30	42	M12×1.0	0.90
63A	HSK50A-HC18-90	P2770418	18	40	57	90	30	42	M12×1.0	0.90
	HSK50A-HC20-90	P2770419	20	42	60	90	29	42	M16×1.0	1.00
	HSK63A-HC6-70	P2567001	6	26	50	70	24	27	M5×0.8	0.53
	HSK63A-HC8-70	P2567002	8	28	50	70	25	27	M6×1.0	0.55
	HSK63A-HC10-80	P2567003	10	30	50	80	35	32	M8×1.0	1.00
	HSK63A-HC12-85	P2567004	12	32	50	85	40	37	M10×1.0	1.03
	HSK63A-HC14-85	P2567005	14	34	50	85	40	37	M10×1.0	1.05
	HSK63A-HC16-90	P2567006	16	38	50	90	46	42	M12×1.0	1.15
80A	HSK63A-HC18-90	P2567007	18	40	50	90	47	42	M12×1.0	1.15
	HSK63A-HC20-90	P2567008	20	42	50	90	48	42	M16×1.0	1.20
	HSK63A-HC25-120	P2567009	25	57	63	120	59	48	M16×1.0	2.20
	HSK63A-HC32-125	P2567010	32	64	75	125	63	55	M16×1.0	2.40
	HSK80A-HC12-85	P2770462	12	32	50	85	40	37	M10×1.0	1.60
	HSK80A-HC20-95	P2770463	20	42	50	95	52	42	M16×1.0	1.80
100A	HSK80A-HC32-125	P2770464	32	64	75	125	63	55	M16×1.0	3.30
	HSK100A-HC6-75	P2770420	6	26	50	75	26	27	M5×0.8	3.20
	HSK100A-HC8-75	P2770421	8	28	50	75	26	27	M6×1.0	3.20
	HSK100A-HC10-90	P2770422	10	30	50	90	42	32	M8×1.0	3.40
	HSK100A-HC12-95	P2770410	12	32	50	95	47	37	M10×1.0	3.40
	HSK100A-HC14-95	P2770423	14	34	50	95	47	37	M10×1.0	3.40
	HSK100A-HC16-100	P2770411	16	38	50	100	53	42	M12×1.0	3.50
	HSK100A-HC18-100	P2770424	18	40	50	100	53	42	M12×1.0	3.60
	HSK100A-HC20-105	P2757010	20	42	50	105	59	42	M16×1.0	4.00
	HSK100A-HC25-110	P2770412	25	57	63	110	62	48	M16×1.0	4.20
	HSK100A-HC32-110	P2757020	32	64	75	110	62	55	M16×1.0	4.30